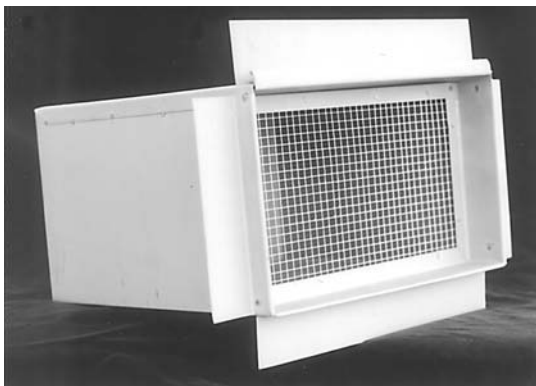


D.7 CRAWL SPACE VENT

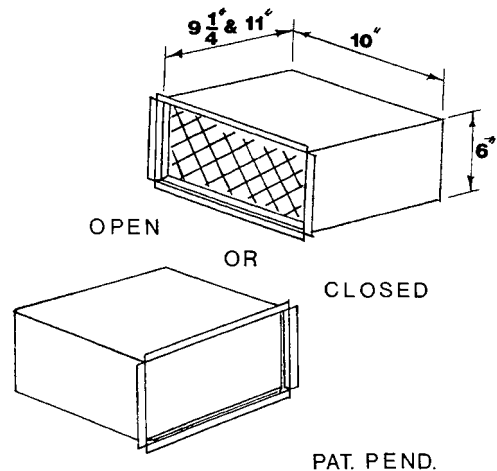
The foundation vent illustrated below is designed specifically for PolySteel Forms. It fits easily in between the ties of the PolySteel Forms and comes with a built-in sliding closure for the winter months. Simply cut out an opening 6" high by 10" wide and insert the proper vent before pouring your foundation. If you are concerned about achieving good concrete consolidation under the vent, place the concrete up to the bottom of the opening, insert the vent, and continue placing concrete in the wall. There is no wood or VBuck required to support the opening. See your PolySteel Dealer to purchase these economical, time-saving vents.

FIGURE 4.4 CRAWL SPACE VENT

These foundation vents are designed specifically for our PolySteel Forms. Just cut out an opening and insert the D & V Multi-vent before pouring the concrete in your PolySteel foundation. No wood buck required! Vent includes a sliding cover for closing during winter months.



D & V MULTI-VENT



CRAWL SPACE VENT INSTALLED