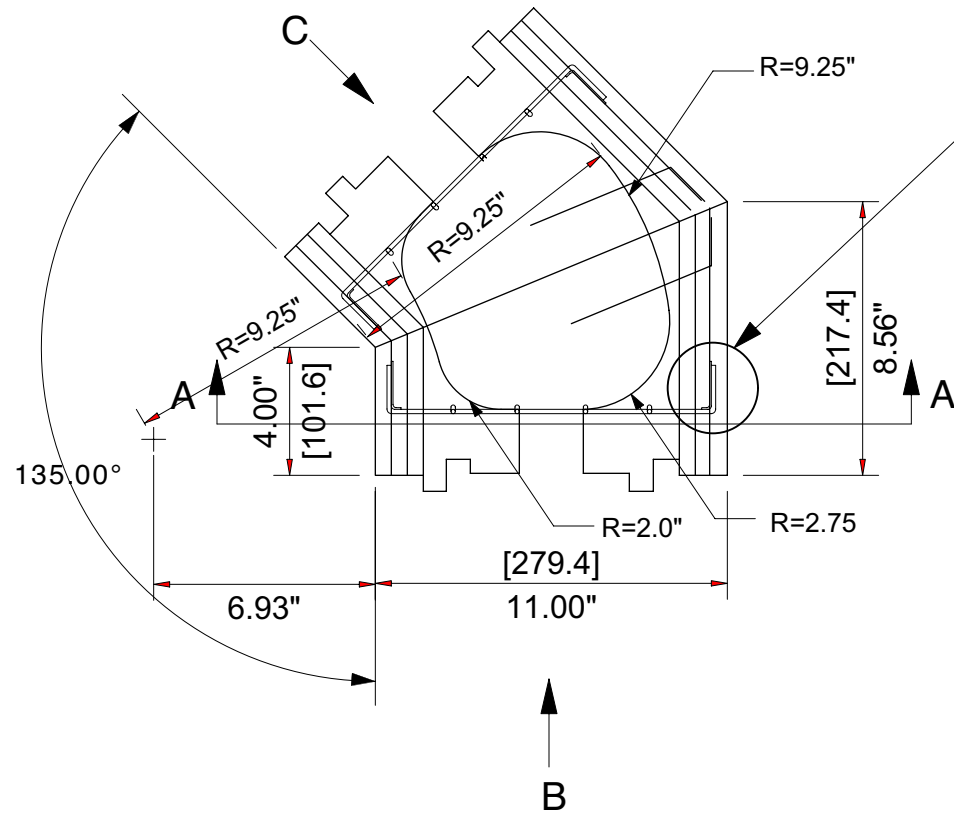


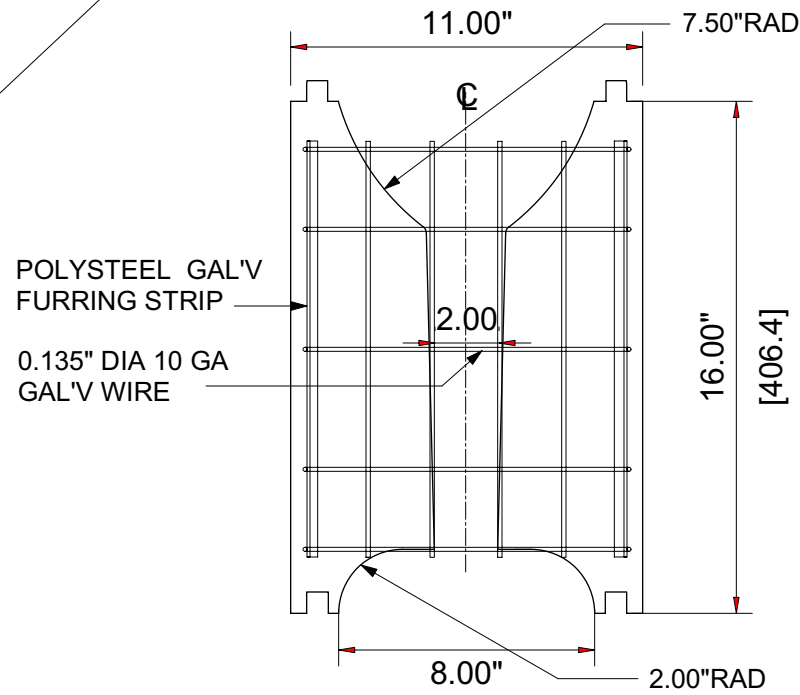
American Polysteel PS 3845

Scale 2"=12.0"

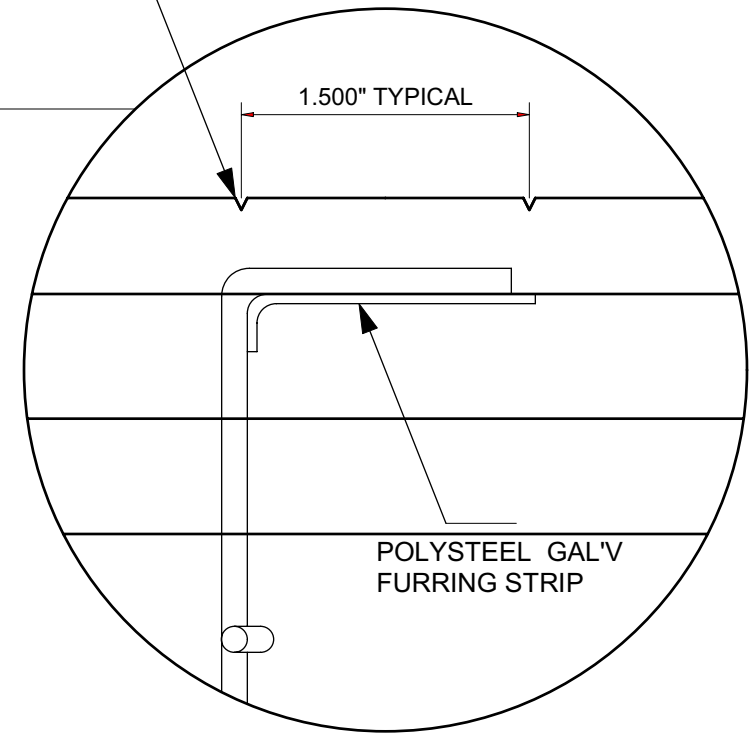
PLAN 45 DEGREE CORNER



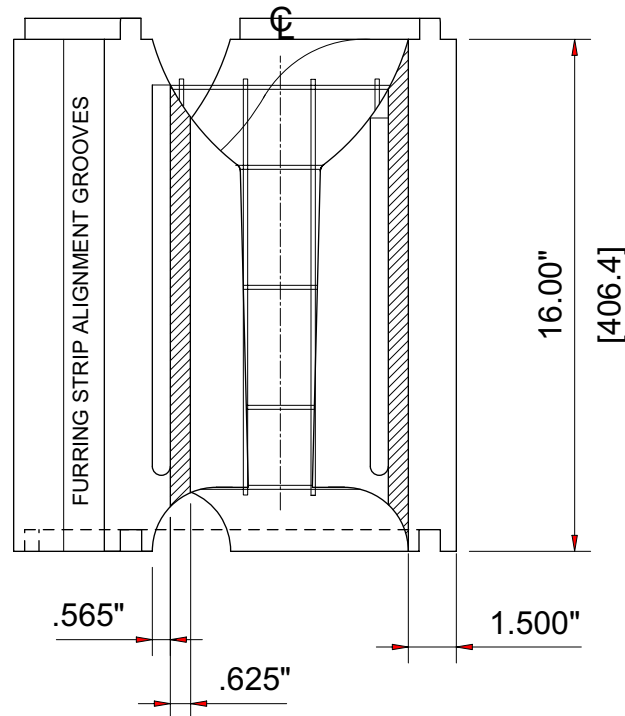
SECTION 'A'



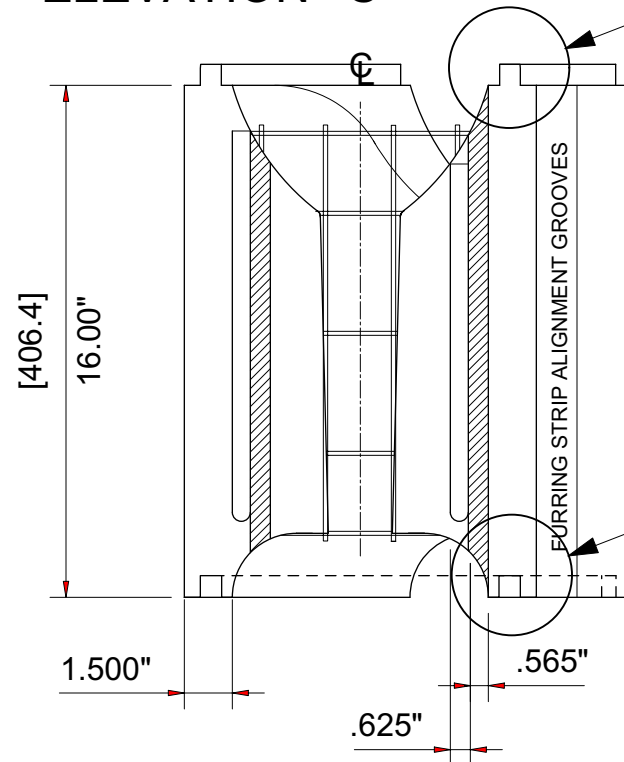
FURRING STRIP ALIGNMENT GROOVES
DEFINE ALL FURRING STRIPS
.062" DEEP x .062" WIDE



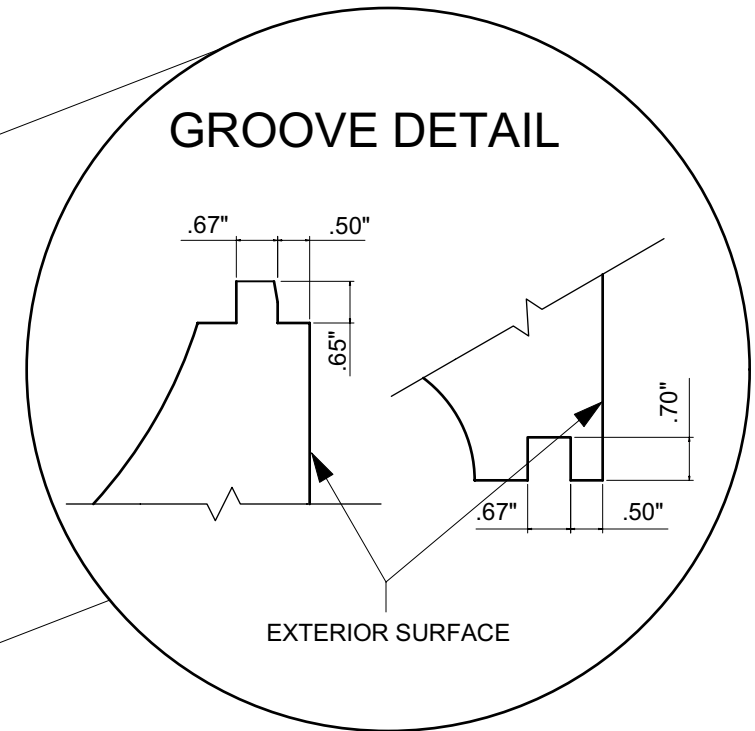
ELEVATION 'B'



ELEVATION 'C'



GROOVE DETAIL



American Polysteel PS 3845

SCALE: 2"=12.0"	APPROVED BY:	DRAWN BY: AMH
DATE: Dec 2002		REVISED:
Copyright 2002		DRAWING NUMBER:
American Polysteel 1-800-977-3676		PS 3845