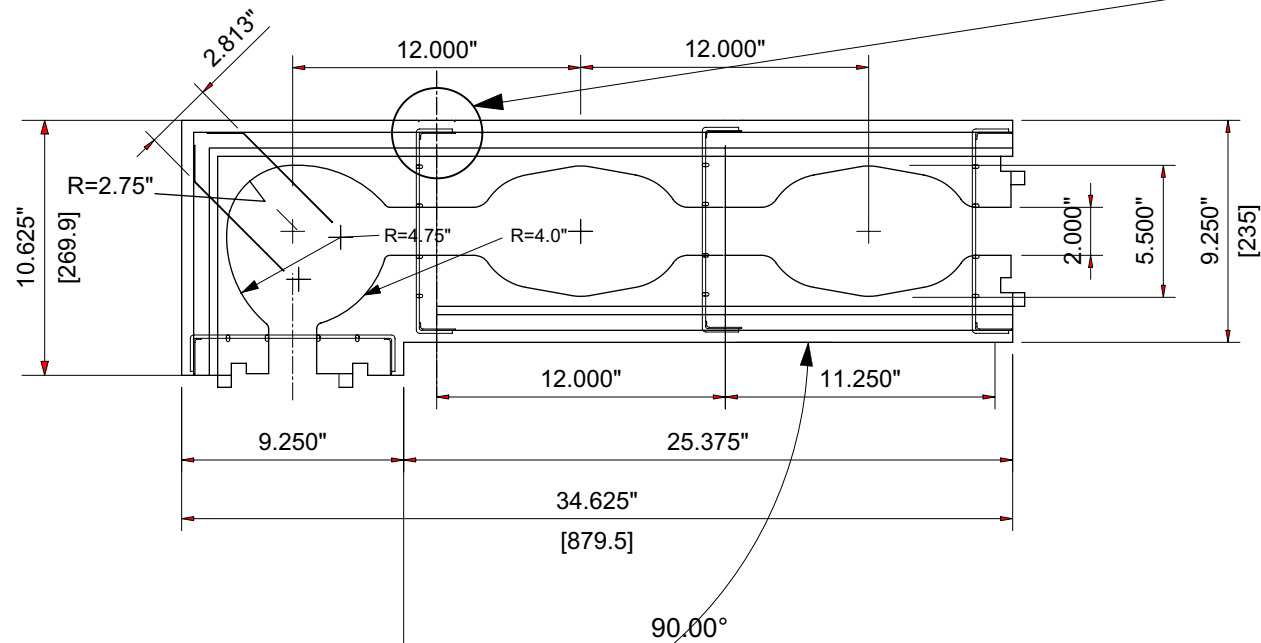
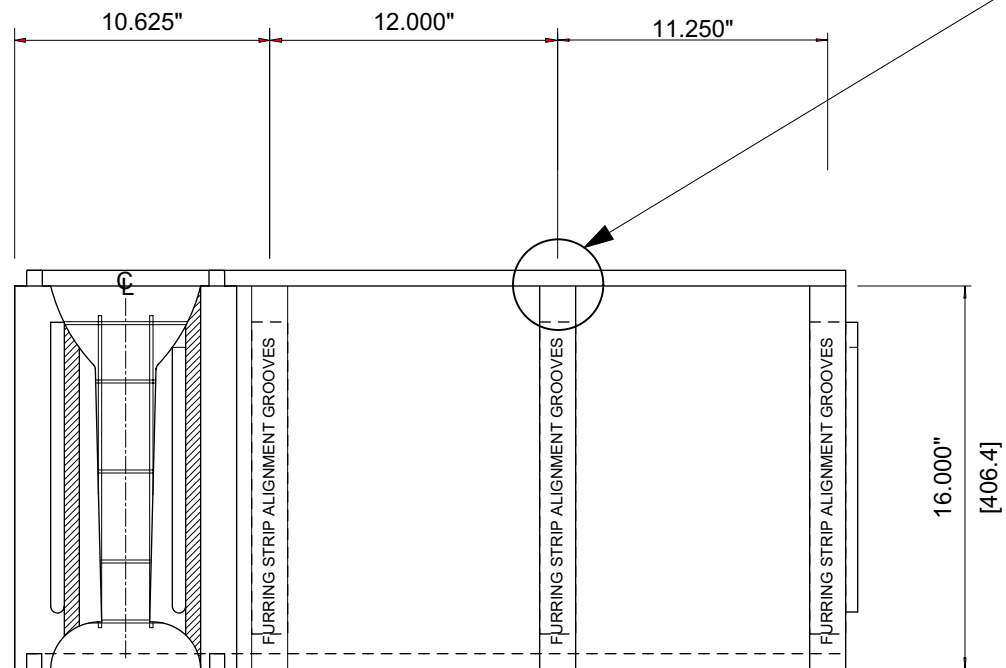


American Polysteel PS 3690-L Scale 1.5"=12.0"

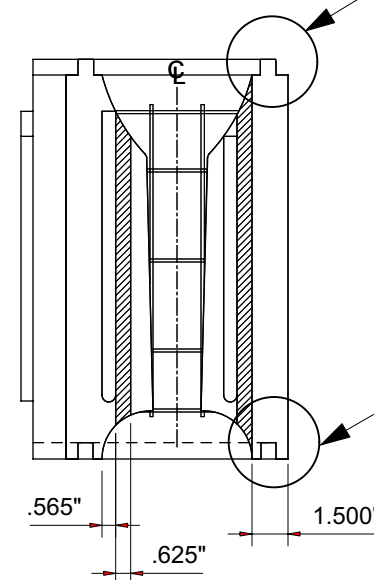
PLAN LEFT-HAND CORNER



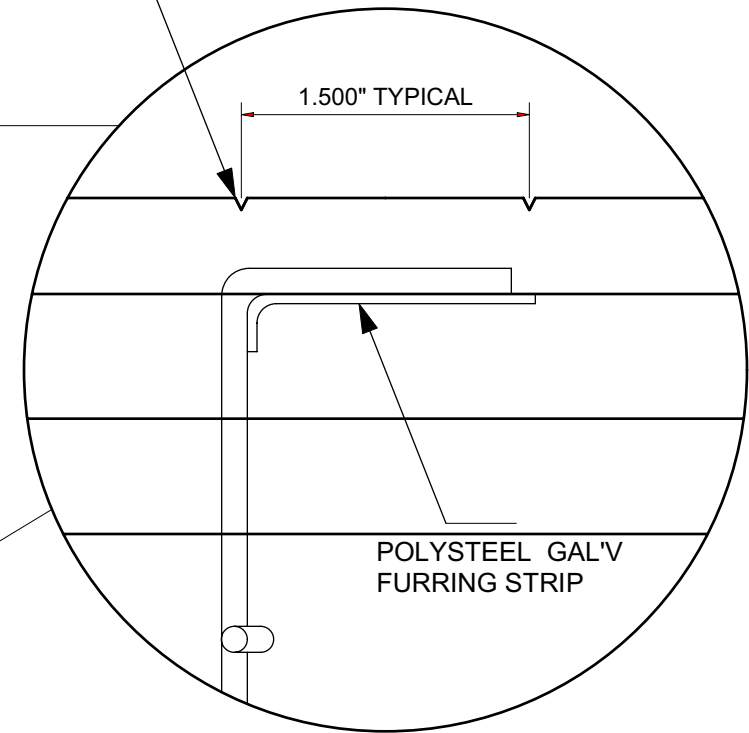
FRONT ELEV,



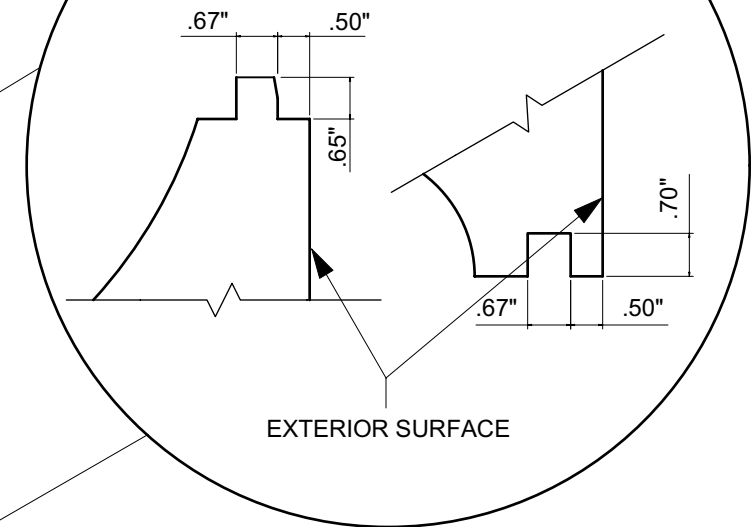
END ELEV,



FURRING STRIP ALIGNMENT GROOVES
DEFINE ALL FURRING STRIPS
.062" DEEP x .062" WIDE



GROOVE DETAIL



American Polysteel PS 3690-L

| | | |
|--|--------------|------------------|
| SCALE: 1.5"=12.0" | APPROVED BY: | DRAWN BY: AMH |
| DATE: Dec 2002 | | REVISED: |
| Copyright 2002 | | DRAWING NUMBER: |
| American Polysteel 1-800-977-3676 | | PS 3690-L |