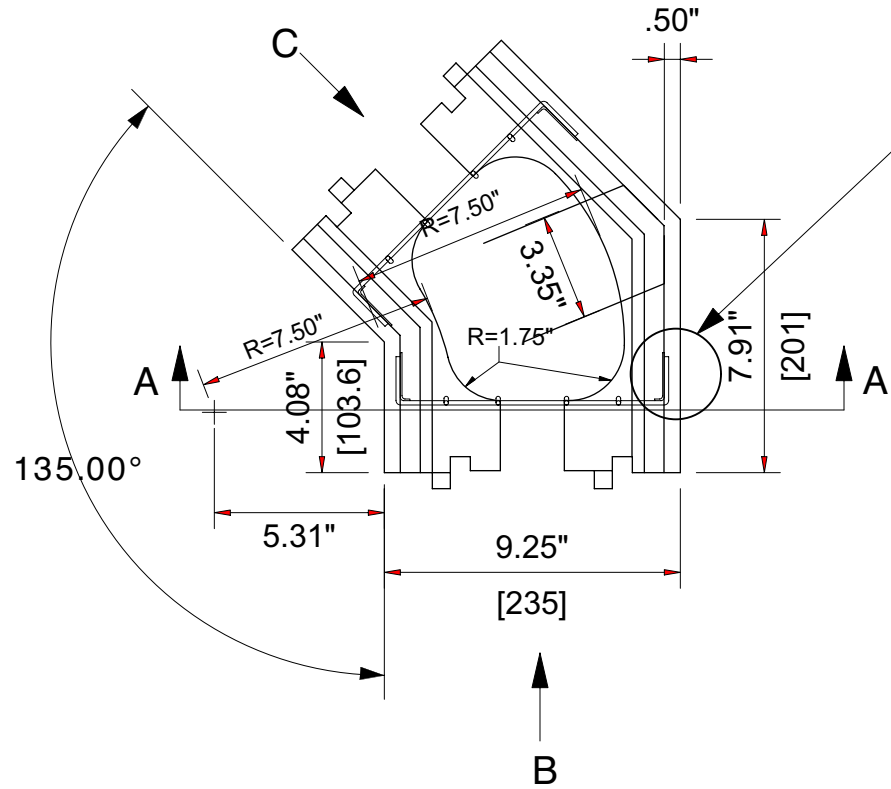


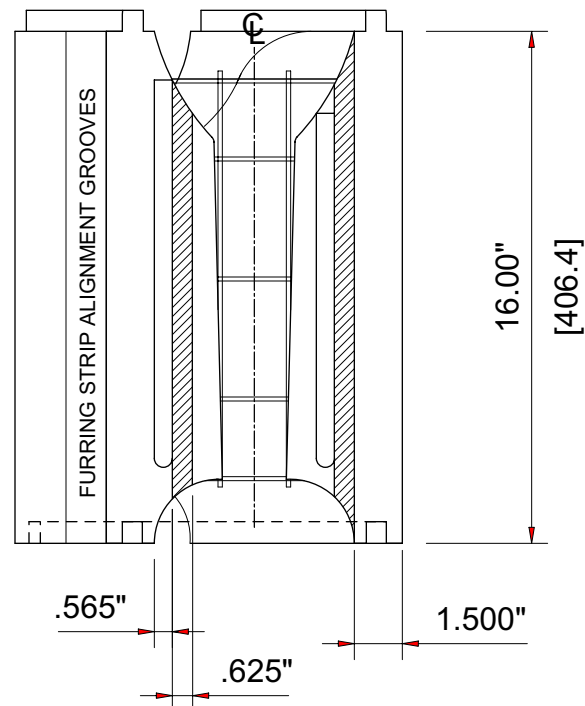
**American Polysteel PS 3645**

Scale 2"=12.0"

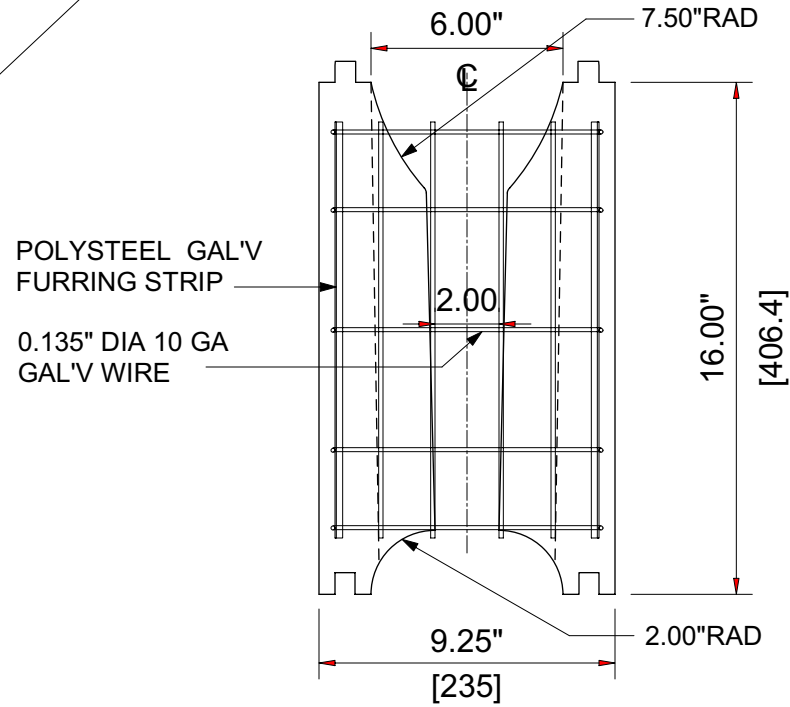
**PLAN 45 DEGREE CORNER**



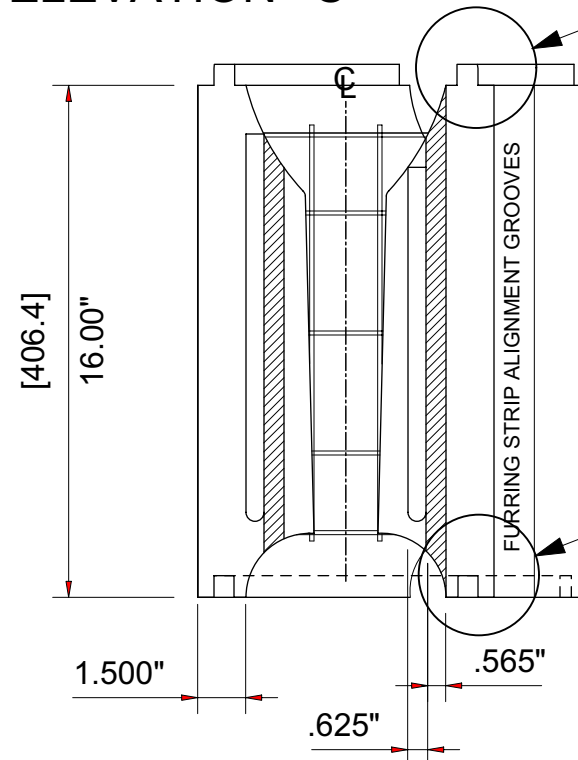
**ELEVATION 'B'**



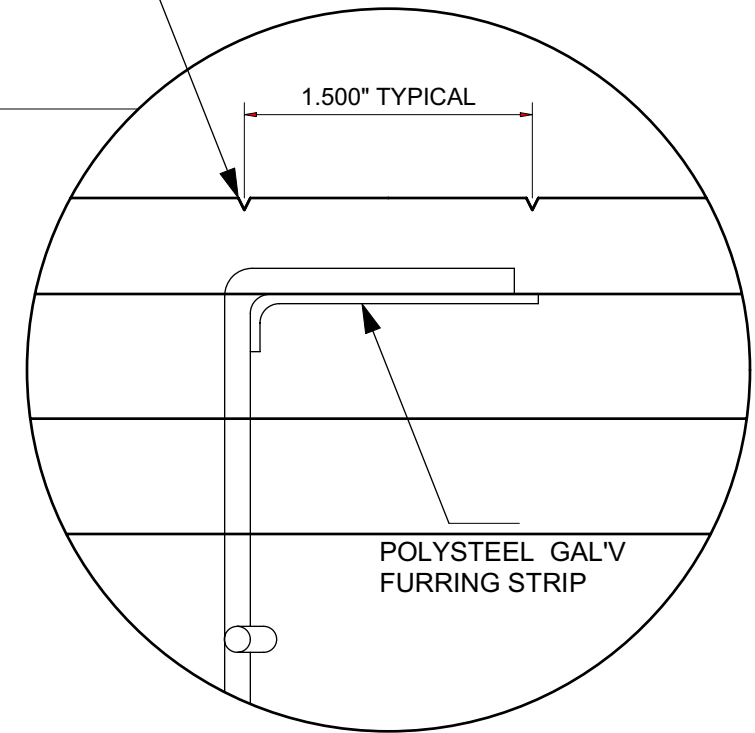
**SECTION 'A'**



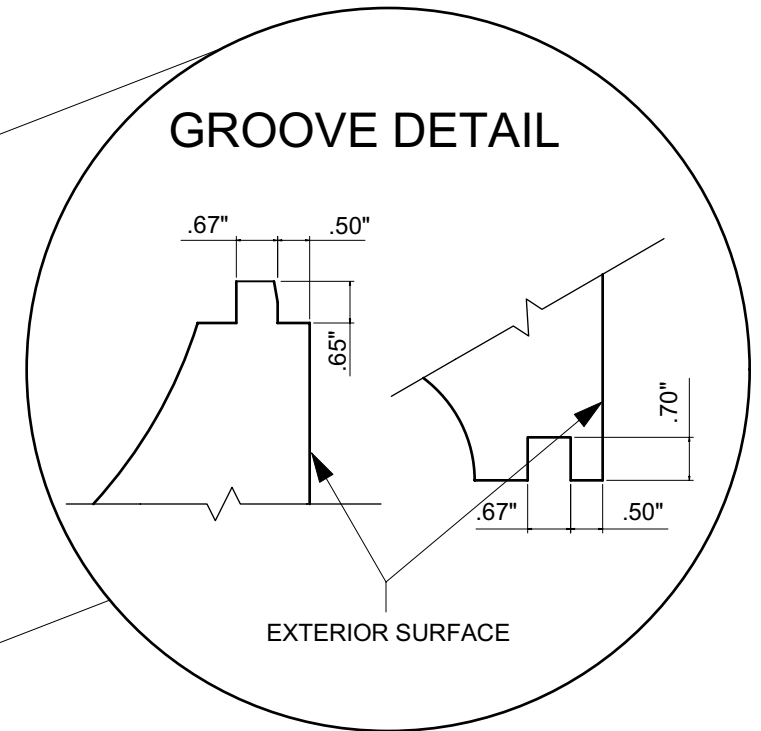
**ELEVATION 'C'**



FURRING STRIP ALIGNMENT GROOVES  
DEFINE ALL FURRING STRIPS  
.062" DEEP x .062" WIDE



**GROOVE DETAIL**



**American Polysteel PS 3645**

SCALE: 2"=12.0"	APPROVED BY:	DRAWN BY: AMH
DATE: Dec 2002		REVISED:
Copyright 2002		DRAWING NUMBER:
American Polysteel 1-800-977-3676		PS 3645