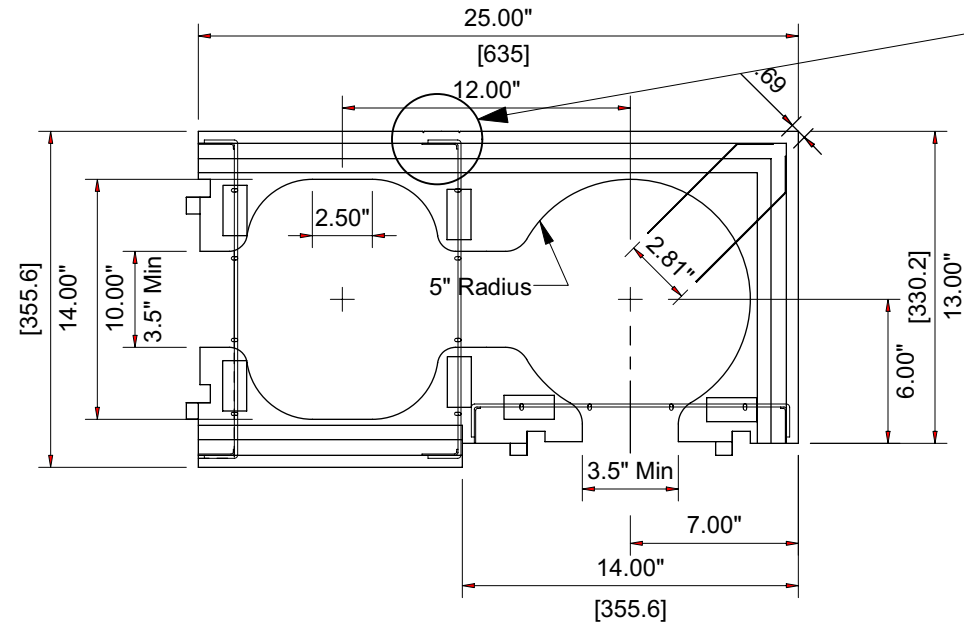
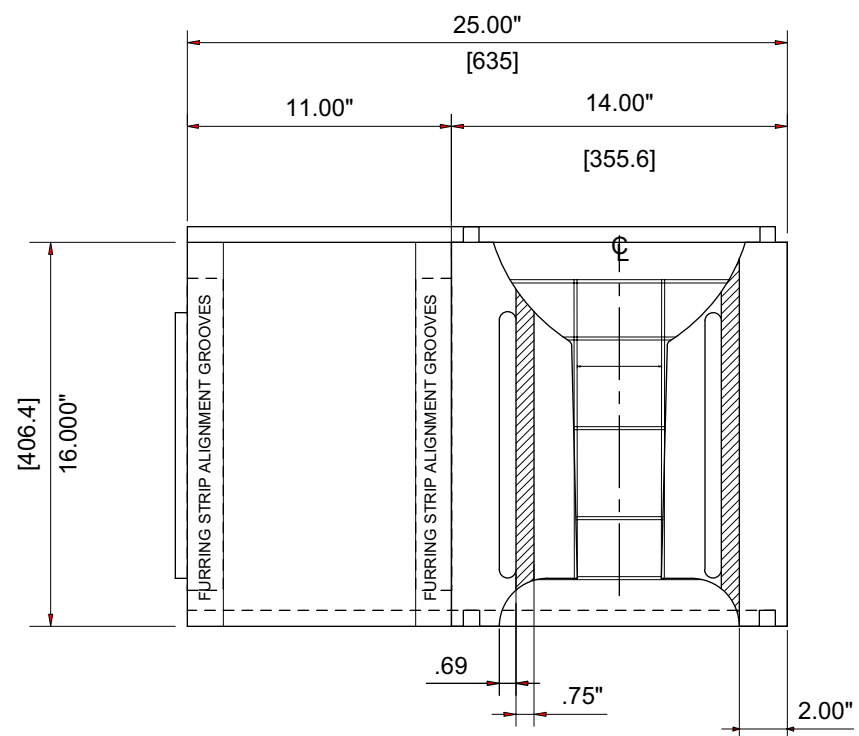


American Polysteel PS 3190-R Scale 1.5"=12.0"

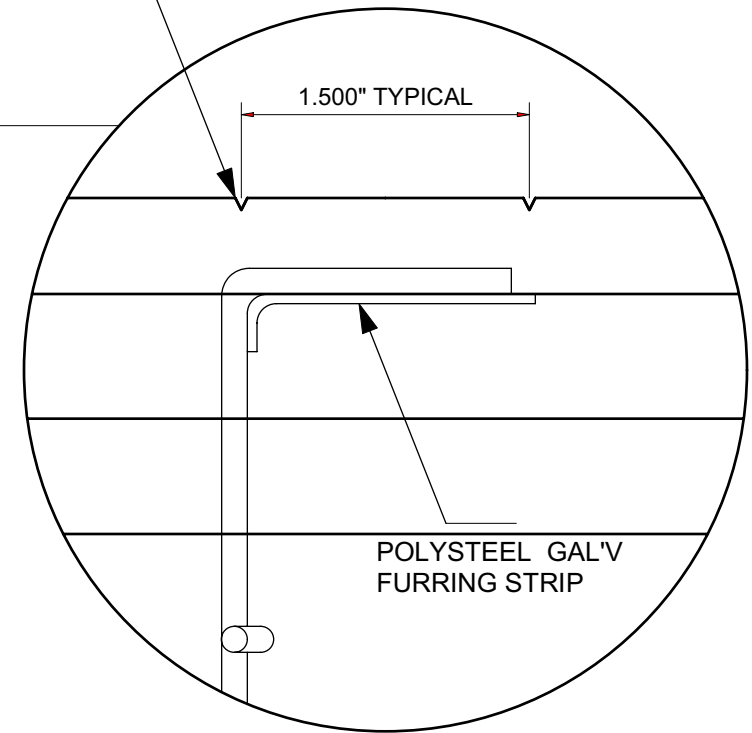
PLAN RIGHT-HAND CORNER



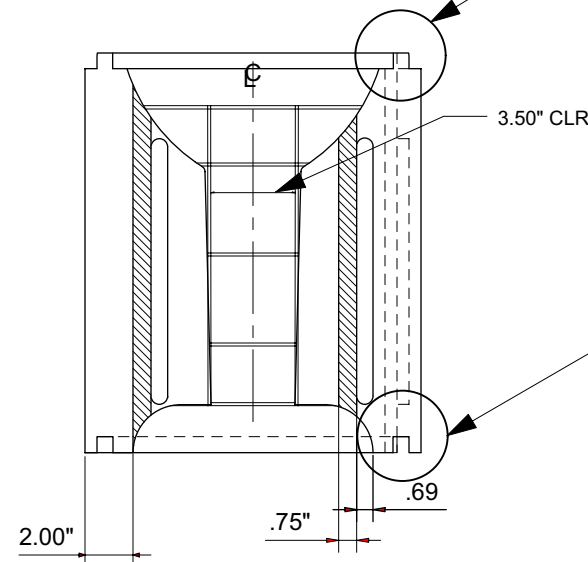
FRONT ELEV,



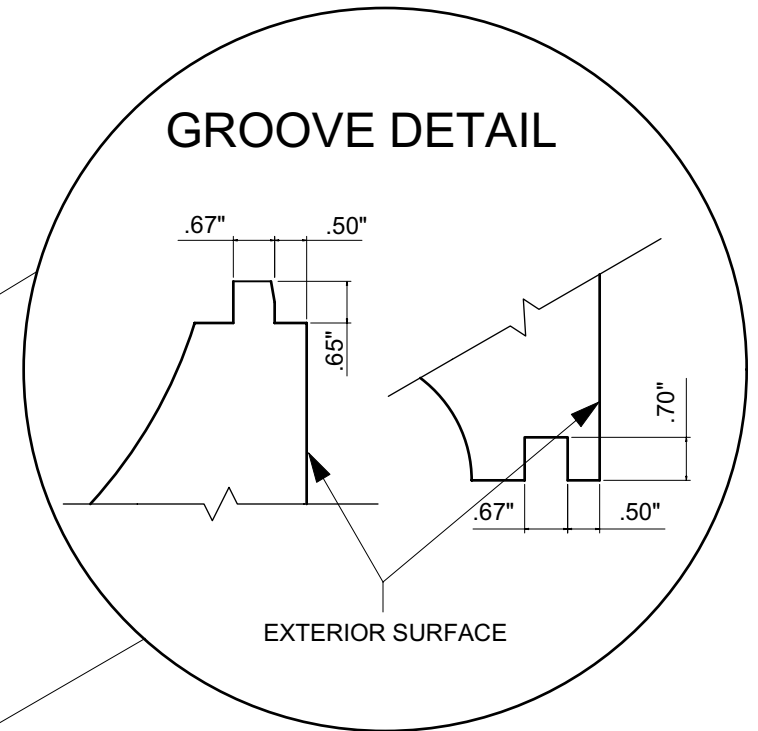
FURRING STRIP ALIGNMENT GROOVES
DEFINE ALL FURRING STRIPS
.062" DEEP x .062" WIDE



END ELEV,



GROOVE DETAIL



American Polysteel PS 3190-R

SCALE: 1.5"=12.0"	APPROVED BY:	DRAWN BY: AMH
DATE: Dec 2002		REVISED:
Copyright 2002		DRAWING NUMBER:
American Polysteel 1-800-977-3676		PS 3190-R