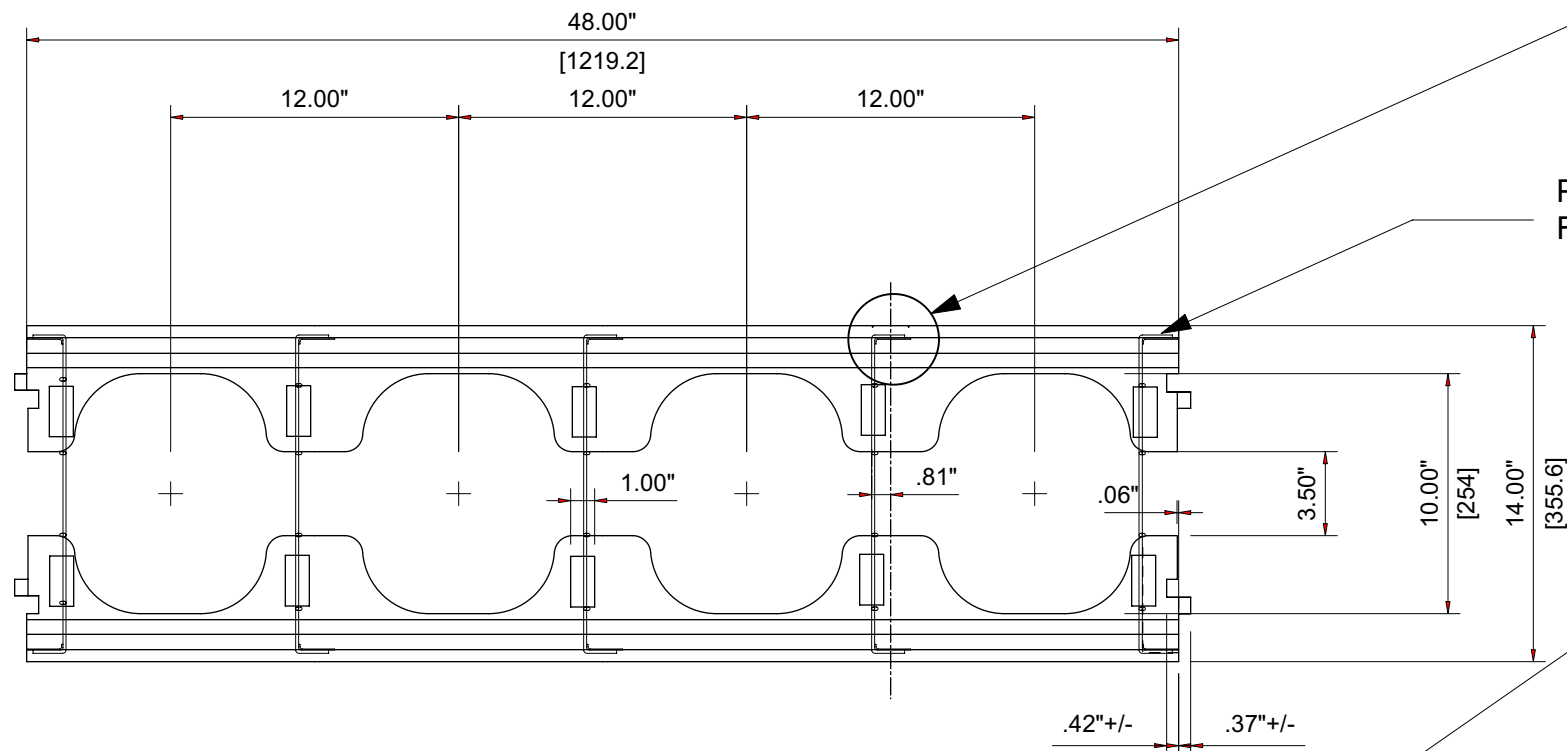


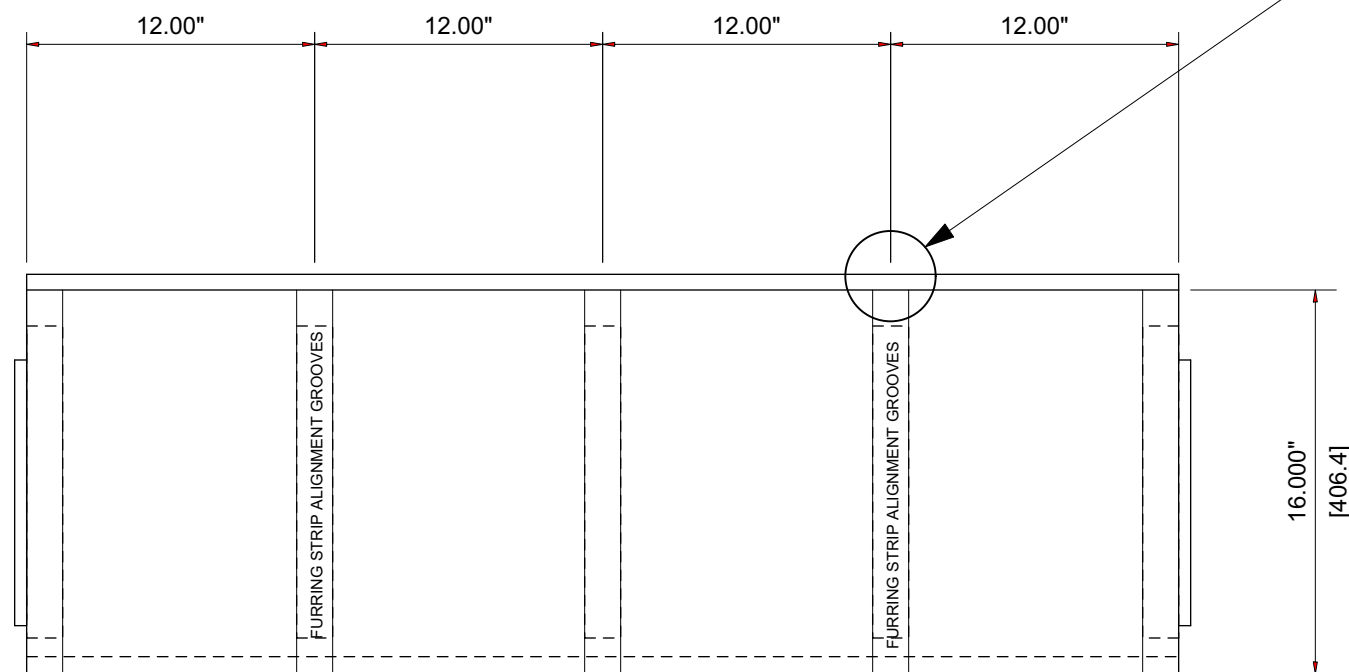
American Polysteel PS 3100

Scale 1.5"=12.0"

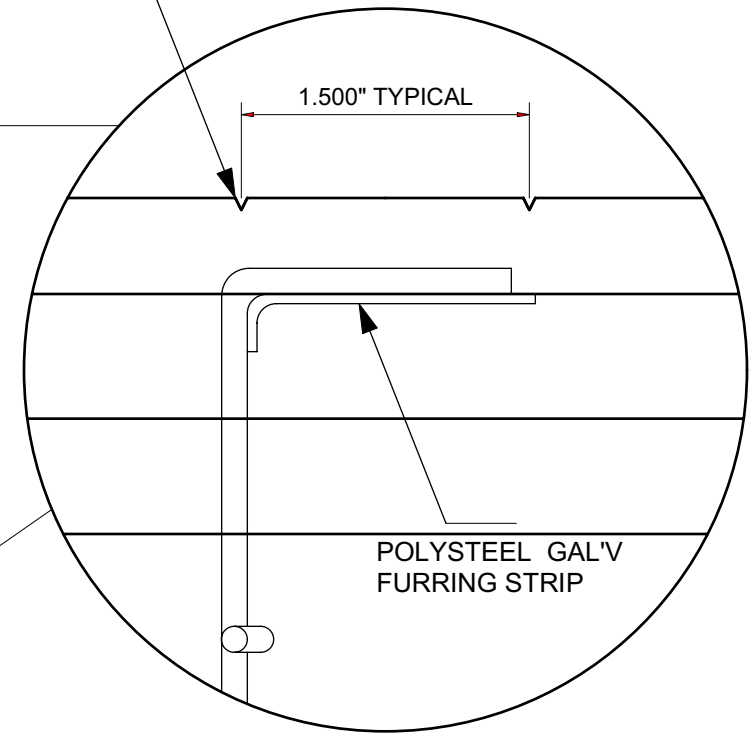
PLAN



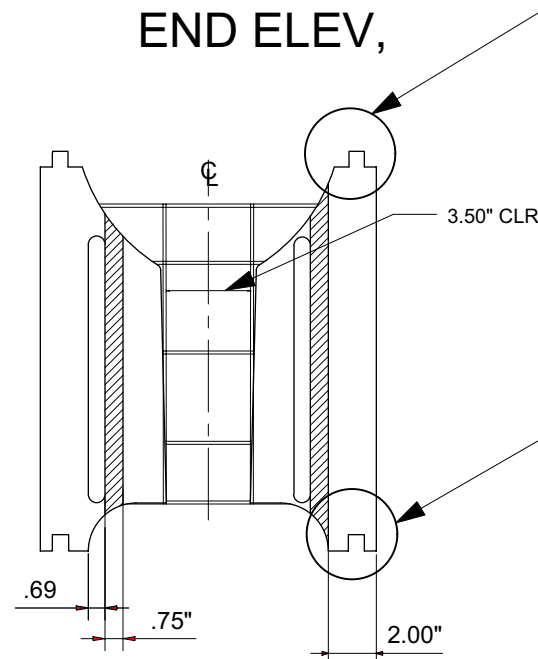
FRONT ELEV,



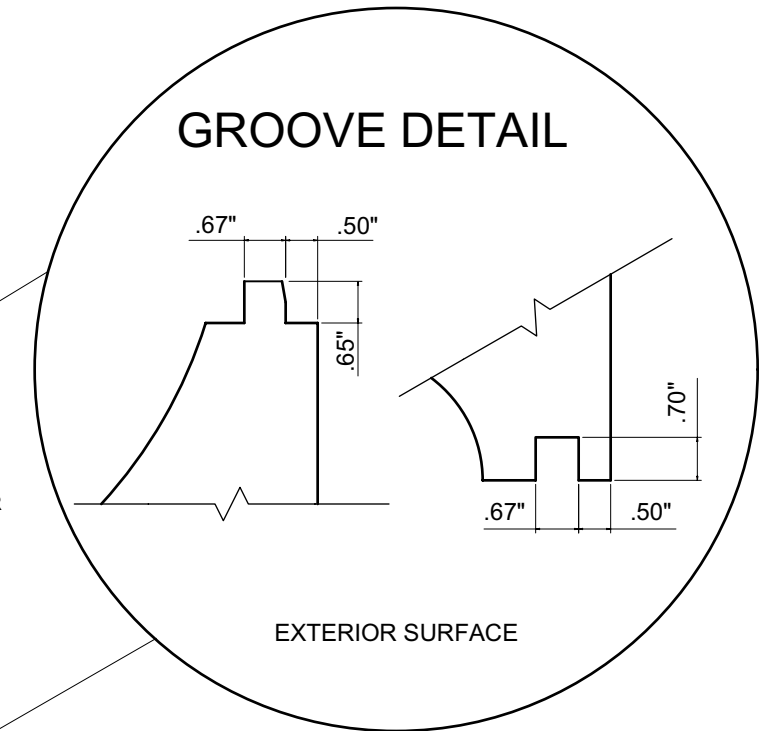
POLYSTEEL GAL'V FURRING STRIP



END ELEV,



GROOVE DETAIL



American Polysteel PS 3100

SCALE: 1.5"=12.0"	APPROVED BY:	DRAWN BY: AMH
DATE: Dec 2002		REVISED:
Copyright 2002		DRAWING NUMBER: PS 3100
American Polysteel 1-800-977-3676		