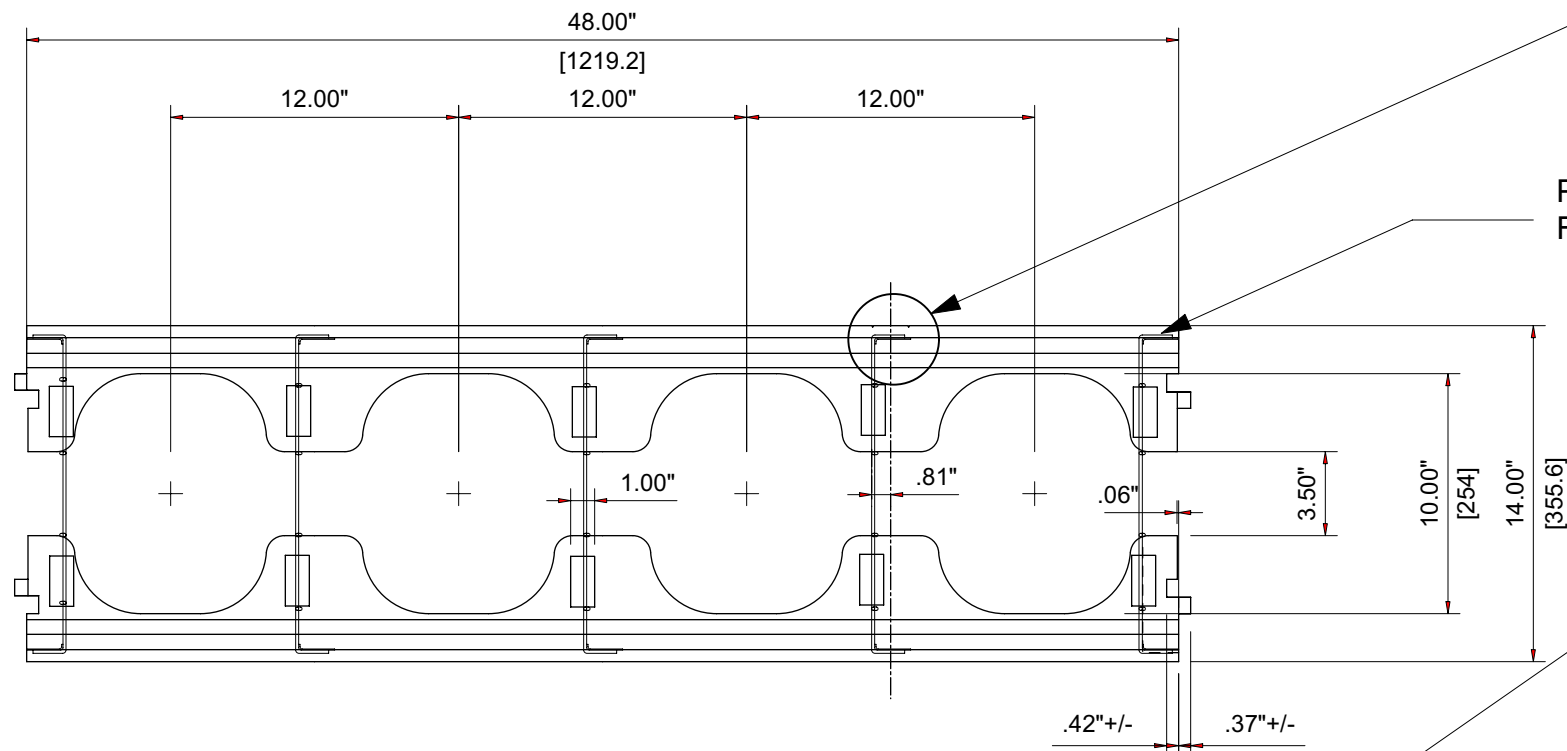


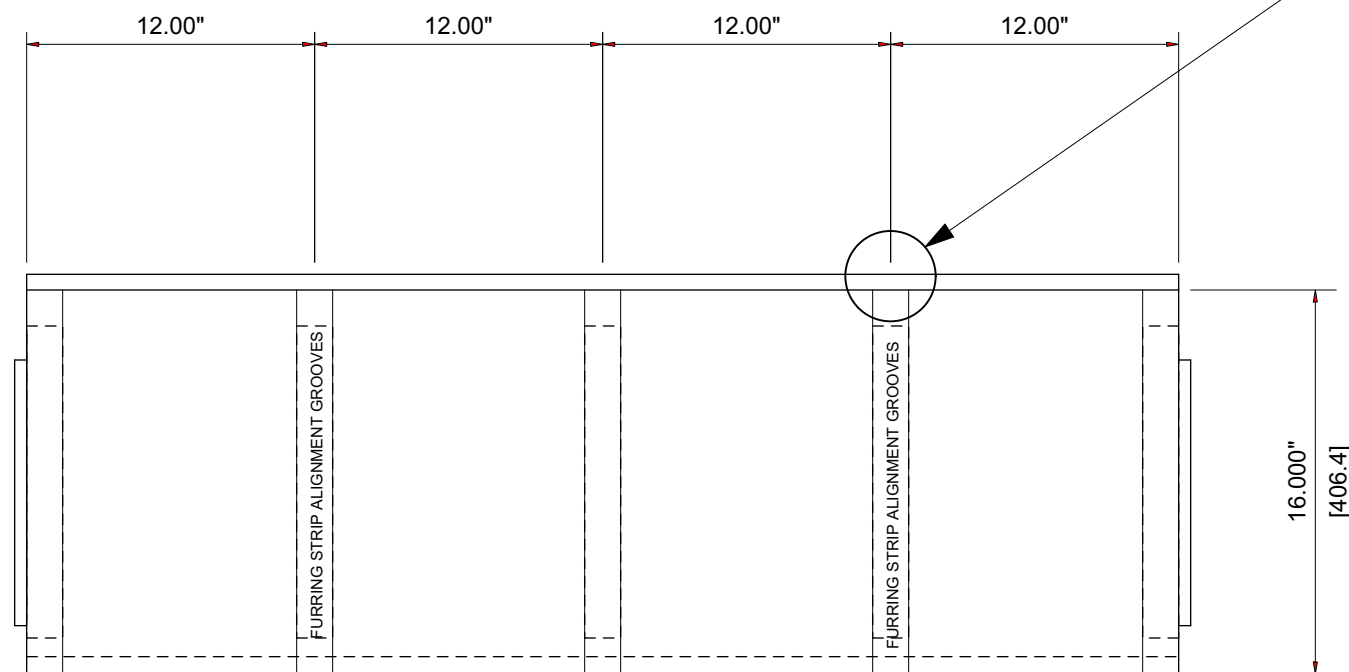
# American Polysteel PS 3100

Scale 1.5"=12.0"

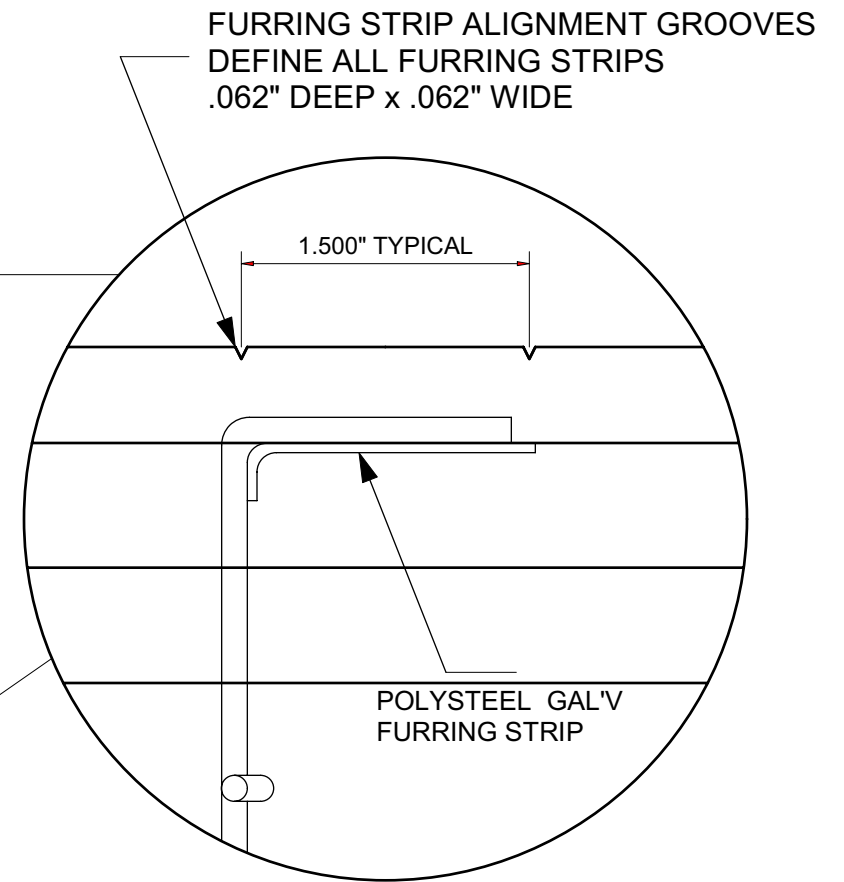
## PLAN



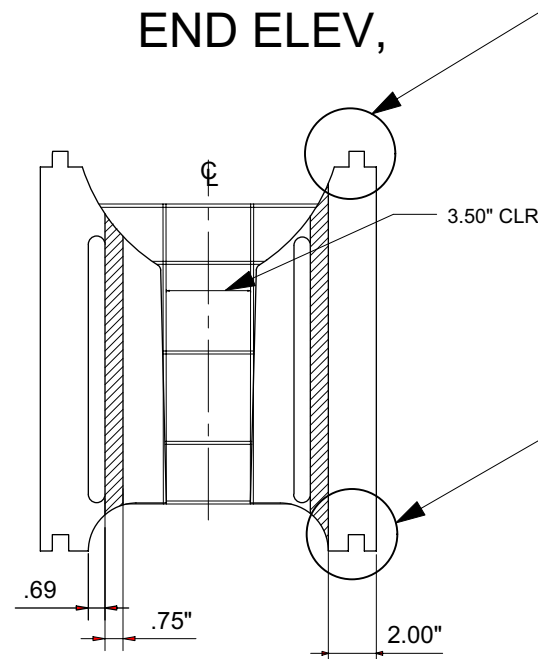
## FRONT ELEV,



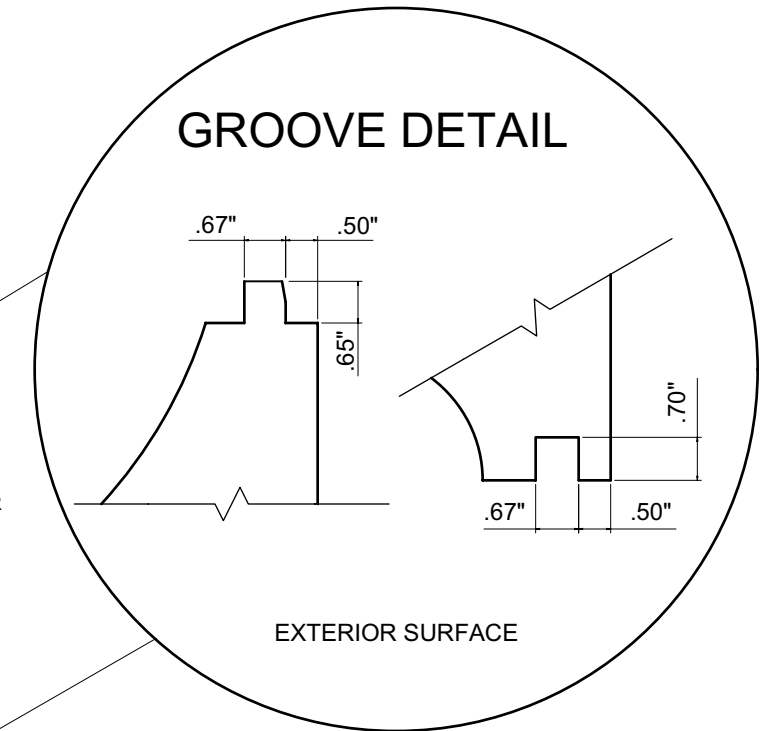
POLYSTEEL GAL'V  
FURRING STRIP



## END ELEV,



## GROOVE DETAIL



### American Polysteel PS 3100

SCALE: 1.5"=12.0"	APPROVED BY:	DRAWN BY: AMH
DATE: Dec 2002		REVISED:
Copyright 2002		DRAWING NUMBER:
American Polysteel 1-800-977-3676		PS 3100